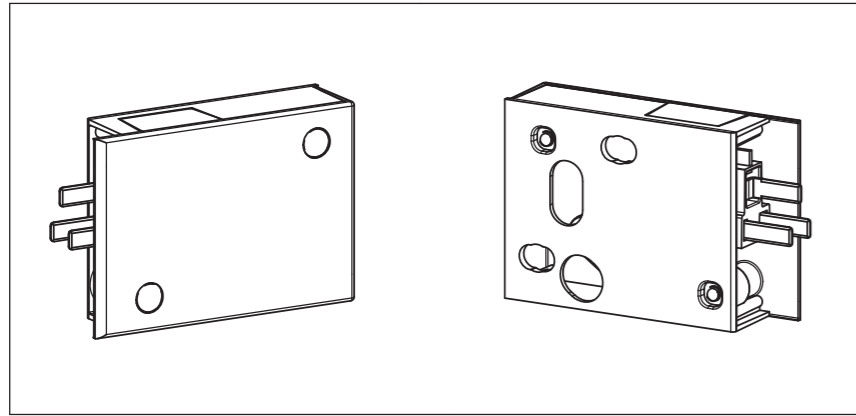
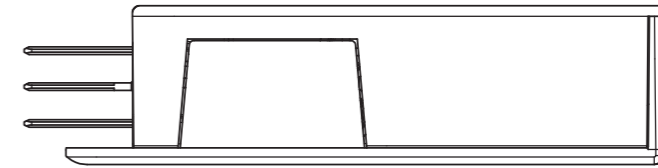


MLTR

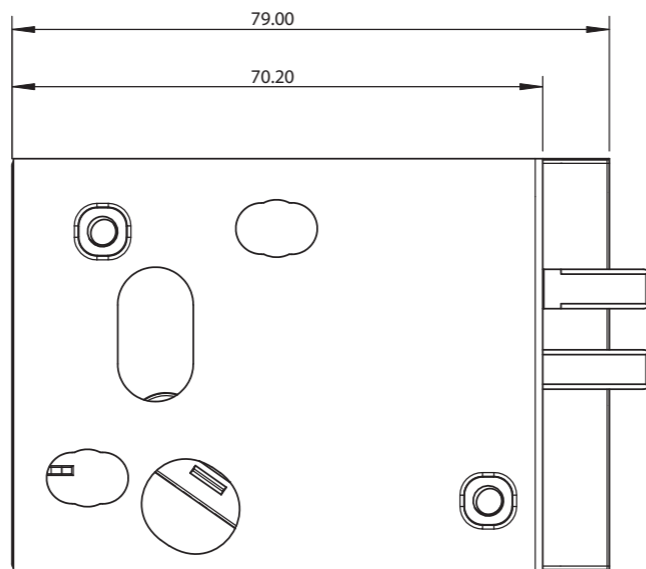
TERMINAL BLOCK RIGHT



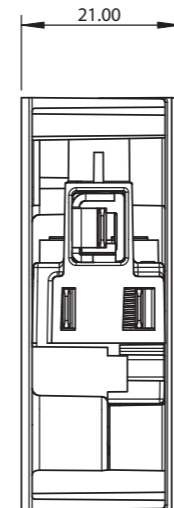
PERSPECTIVE VIEWS



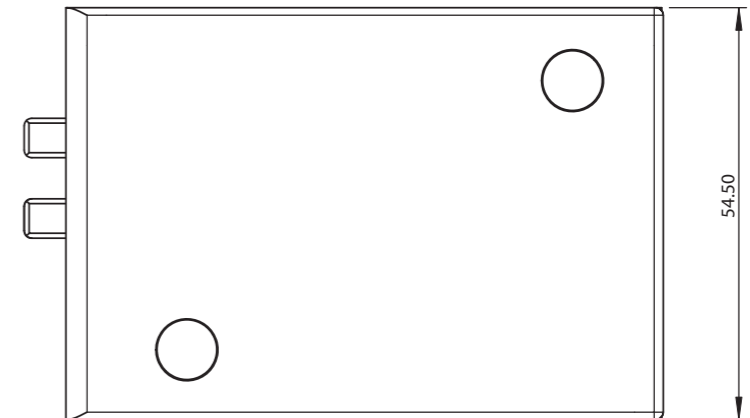
TOP VIEW



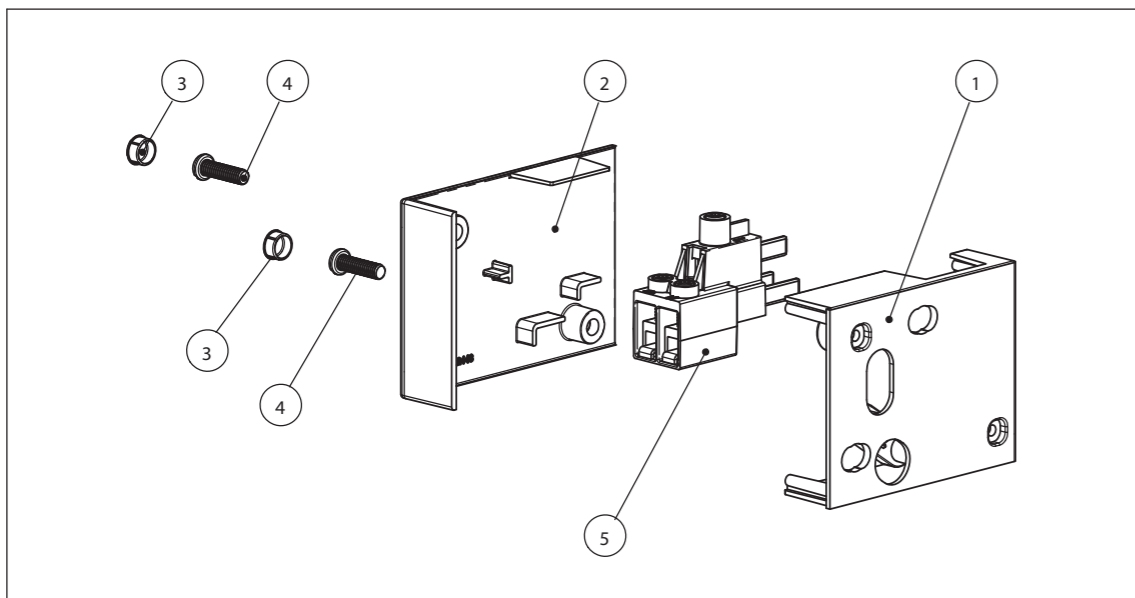
REAR VIEW



LEFT SIDE VIEW



FRONT VIEW



EXPLODED VIEW

ITEM NO.	PART NUMBER	QTY.
1	Back Plate Sub-Assembly	1
2	Front Cover	1
3	Flush Cap	2
4	6.32UNC Thread x 14mm S screw	2
5	Terminal Block Sub-Assembly	1



The information contained in this drawing is the sole property of Power & Data Corporation. Any reproduction in part or as a whole without the written permission of Power & Data Corporation is prohibited. Copyright © Power & Data Corporation All rights reserved.

ALL DIMENSIONS IN MILLIMETRES
DO NOT SCALE

